

DH-T2A-LED

2MP Entry Full-color Fixed-focal Wi-Fi Eyeball Network Camera



Series Overview

With features of simple installation, easy operation, and high performance-cost ratio, Dahua Entry series network camera is applicable to small and medium-sized scenes, such as homes/residences, small-sized retail stores, and other small and medium-sized enterprises.

Functions

Smart H.265+ & Smart H.264+

With advanced scene-adaptive rate control algorithm, Dahua smart encoding technology realizes the higher encoding efficiency than H.265 and H.264, provides high-quality video, and reduces the cost of storage and transmission.

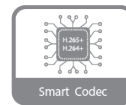
Human Detection

Dahua intelligent algorithms extract moving human targets from videos and filters out alarms that are triggered by non-human targets to increase the accuracy and effectiveness of alarms.

Full-color

With high-performance sensor and large aperture lens, Dahua Full-color technology can display clear colorful image in the environment of ultra-low illuminance. With this photosensitivity technology, the camera can capture more available light, and display more colorful image details.

- 2-MP 1/3" CMOS image sensor, low luminance, and high definition image.
- Outputs max. 2 MP (1920 × 1080)@25/30 fps.
- H.265 codec, high compression rate, ultra-low bit rate.
- Built-in warm light, and the max. illumination distance is 30 m.
- SMART H.264+/H.265+, flexible coding, applicable to various bandwidth and storage environments.
- DWDR, 3D NR, HLC, BLC, digital watermarking, applicable to various monitoring scenes.
- Abnormality detection: Motion detection, video tampering, audio detection, no SD card, SD card full, SD card error, network disconnection, IP conflict, illegal access, and SMD(human).
- Supports max.256 G Micro SD card; built in Mic.
- 12 VDC power supply.
- IP67 protection.
- Support Human Detection.



Cyber Security

Dahua network cameras employ a series of security technologies, including security authentication and authorization, access control protocols, trusted protection, encrypted transmission and encrypted storage. These technologies improve the camera's defense against external cyber threats and prevent malicious programs from compromising the device.

Technical Specification

Camera

Image Sensor	1/3" CMOS
Max. Resolution	1920 (H) × 1080 (V)
ROM	16 MB
RAM	64 MB
Scanning System	Progressive
Electronic Shutter Speed	Auto/Manual 1/3 s–1/100,000 s
Min. Illumination	0.005 lux@F1.6 (Color, 30 IRE) 0.0005 lux@F1.6(B/W, 30 IRE) 0 lux (Illuminator on)
S/N Ratio	>56 dB
Illumination Distance	Up to 30 m (98.53 ft)
Illuminator On/Off Control	Auto
Illuminator Number	2 (Warm light)
Angle Adjustment	Pan: 0°–360° Tilt: 0°–78° Rotation: 0°–360°

Lens

Lens Type	Fixed-focal				
Lens Mount	M12				
Focal Length	2.8 mm; 3.6 mm				
Max. Aperture	F1.6				
Field of View	2.8 mm: H: 98°; V: 55°; D: 115° 3.6 mm: H: 78°; V: 41°; D: 94°				
Iris Control	Fixed				
Close Focus Distance	2.8 mm: 1 m (3.28 ft) 3.6 mm: 1.7 m (5.58 ft)				
DORI Distance	Lens	Detect	Observe	Recognize	Identify
	2.8 mm	61.2 m (200.78 ft)	24.5 m (80.38 ft)	12.2 m (40.03 ft)	6.1 m (20.01 ft)
	3.6 mm	85.4 m (280.18 ft)	34.2 m (112.20 ft)	17.1 m (56.10 ft)	8.5 m (27.89 ft)

Intelligence

Human Detection	Support the classification and accurate detection of human
-----------------	--

Video

Video Compression	H.264B; H.264; H.264H; H.265
Smart Codec	Smart H.265+; Smart H.264+
Video Frame Rate	Main stream: 1920 × 1080@(1–25/30 fps) Sub stream: 640 × 480@(1–25/30 fps) *The values above are the max. frame rates of each stream; for multiple streams, the values will be subjected to the total encoding capacity.
Stream Capability	2 streams
Resolution	1080p (1920 × 1080); 1280 × 960 (1280 × 960); 1280 × 720 (1280 × 720)

Bit Rate Control	CBR/VBR
Video Bit Rate	H.264: 32kbps ~ 4096kbps H.265: 12kbps ~ 4096kbps
Day/Night	Color/B/W
BLC	Yes
HLC	Yes
WDR	DWDR
White Balance	Auto; natural; street lamp; outdoor; manual; regional custom
Gain Control	Auto
Noise Reduction	3D NR
Motion Detection	OFF/ON (4 areas, rectangular)
Region of Interest (RoI)	Yes (4 areas)
Smart Illumination	Yes
Image Rotation	0°/180°
Mirror	Yes
Privacy Masking	4 areas

Audio

Built-in MIC	Yes, built-in Mic
Audio Compression	G.711a; G.711Mu; PCM; G.726

Alarm

Alarm Event	No SD card; SD card full; SD card error; network disconnection; IP conflict; illegal access; motion detection; video tampering; abnormal audio input; intensity change; motion detection; SMD(human)
-------------	--

Network

Network Port	RJ-45 (10/100 Base-T)
Wi-Fi	IEEE802.11b/g/n 2.4–2.4835 GHz; 2.4 G
SDK and API	Yes
Network Protocol	IPv4; HTTP; TCP; UDP; ARP; RTP; RTSP; RTCP; DHCP; DNS; NTP; Multicast; RTMP; P2P
Interoperability	ONVIF (Profile S; Profile G); CGI
User/Host	20 (Total bandwidth: 64 M)
Storage	Micro SD card (support max. 256 GB)
Browser	IE; Chrome; Firefox
Management Software	Smart PSS; DSS; DMSS
Mobile Client	iOS; Android
Cyber Security	Configuration encryption; trusted execution; Digest; security logs; HTTPS; trusted upgrade; WSS; trusted boot; account lockout; generation and importing of X.509 certification; video encryption

Certification

Certifications	CE-LVD: EN62368-1; CE-EMC: Electromagnetic Compatibility Directive 2014/30/EU; CE-RED: Radio Equipment Directive 2014/53/EU
----------------	---

Power

Power Supply	12 VDC
Power Consumption	Basic: 2 W (12 VDC) Max. (H.265+warm light intensity): 5.8 W (12 VDC)

Environment

Operating Temperature	-40 °C to +60 °C (-40 °F to +140 °F)
Operating Humidity	≤95%
Storage Temperature	-30 °C to +60 °C (-22 °F to +140 °F)
Storage Humidity	≤95%
Protection	IP67

Structure

Casing Material	Inner core: Metal + Plastic Cover: Plastic
Product Dimensions	Φ109.9 mm × 102.2 mm (Φ4.33" × 4.02")
Net Weight	323 g (0.71 lb)
Gross Weight	560 g (1.23 lb)

Ordering Information

Type	Model	Description
2MP Camera	DH-T2A-LED	2MP Entry Full-color Fixed-focal Wi-Fi Eyeball Network Camera
Accessories	ADS-12AM-12 12012EPG	12V DC/1A Power Adapter
	PFA13G	Junction Box
	PFB205W-E	Wall Mount Bracket
	PFA152-E	Pole Mount Bracket
	PFA109	Mount Adapter
	PFB220C	Ceiling Mount Bracket
	PFM900-E	Integrated Mount Tester
	TF-P100	MicroSD Memory Card

Accessories

Included:



ADS-12AM-12 12012EPG
12V DC/1A
Power Adapter

Optional:



PFA13G
Junction Box



PFB205W-E
Wall Mount
Bracket



PFA152-E
Pole Mount
Bracket



PFA109
Mount Adapter



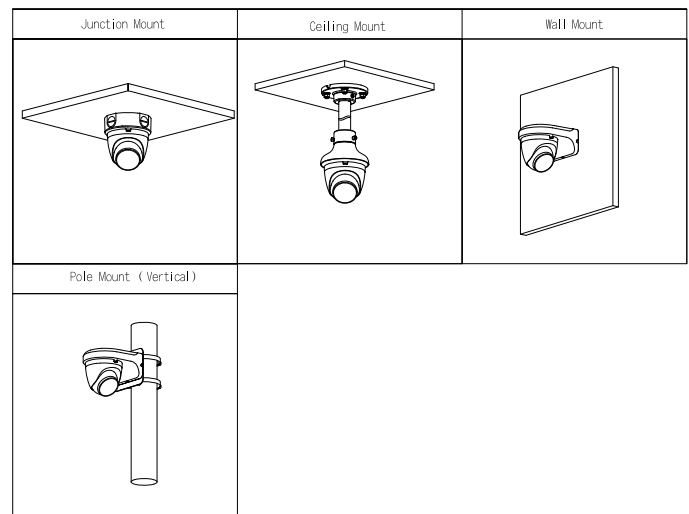
PFB220C
Ceiling Mount
Bracket



PFM900-E
Integrated
Mount Tester



TF-P100
MicroSD
Memory Card



Dimensions (mm[inch])

